



Bosch Fuel Filters for Gasoline and Diesel Engines

Replaceable fuel filters are used in over 130 million vehicles on the road today. Bosch Fuel Filters help to protect the most expensive parts of the engine by filtering out foreign particles that can damage a fuel injector, resulting in erratic performance, poor gas mileage and in some cases, complete engine shutdown. Even the smallest particles can cause considerable wear and tear to an engine. Protecting the fuel system and the engine from harmful particles helps to prolong the life of your vehicle. A Bosch Fuel Filter is one of the best ways to ensure dependable and trouble-free performance.

Bosch uses premium quality materials, modern production methods and expertise about the injection system to engineer fuel filters. Fuel filter replacement at manufacturer-specified intervals will maintain high performance and prolong the life of the engine. Avoid inconvenient breakdowns and costly repairs by replacing the current fuel filter with a quality Bosch Fuel Filter.



Features	Benefits
Multilayered filter media with 99% efficiency**	High efficiency in filtering out particles to protect the fuel injection system and engine
High dirt holding capacity of 15 grams***	Designed to protect fuel systems and engine by trapping and holding more harmful particles
Precise, reliable fuel filter connections	100% fuel filtration
Robust aluminum-, plastic- or surface-treated steel filter housing	Designed to withstand high pressure, offering a longer fuel filter service life

Test based upon SAE J905 at 0.7 bar on 77041WS * Test based upon SAE J905 on 77041WS

Gasoline Fuel Filters

Changing gasoline filters regularly according to vehicle manufacturer specifications can avoid power loss of the engine, prevent impairment or interruption of the fuel supply and fuel pump, and decrease wear on your engine.

Diesel Fuel Filters

The Diesel fuel filter protects the injection system and the engine against particles such as water, dirt and other residue in the fuel that can be harmful for the important components of the fuel system. To ensure engine protection, Bosch Diesel Fuel Filters filter down to as low as 6.5 microns*, which means Bosch Diesel Fuel Filters will help prolong the life of the engine.

*Unless specified differently by OE



Inline Fuel Filter

These fuel filters are positioned between the fuel tank, fuel injectors and the fuel line. Various connections (dependent on the filter) are attached or are designed to trap and hold particles from entering the fuel system and engine.

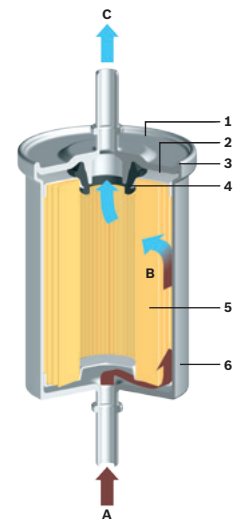
Cartridge Fuel Filter

A cartridge-style fuel filter is positioned inside a protective housing of the fuel system. Depending on the application, this housing can be positioned anywhere from the fuel pump or near the fuel tank. The filter media pleats are exposed and used to trap and hold harmful particles.

Gasoline Fuel Filter

Design and operation of gasoline filters

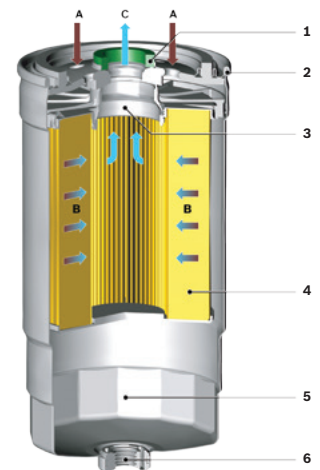
1. Filter cover
 2. Supporting plate
 3. Internally welded edge
 4. Sealing ring
 5. Filter medium
 6. Pressure-resistant filter housing
- A. Inflow of contaminated gasoline
 B. Filtration of the gasoline
 C. Clean gasoline is conducted to engine



Diesel Fuel Filters

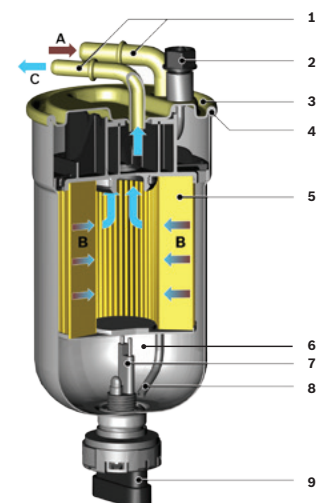
Design and operation of diesel line filters

1. Sealing
 2. Fitting flange
 3. Double beading
 4. Multilayer filter medium
 5. Water chamber
 6. Water drain screw
- A. Inflow of contaminated diesel
 B. Dirt and water filtration of the diesel
 C. Cleaned diesel is conducted to engine



Design and operation of filter exchange boxes

1. Hose connection
 2. Water drain
 3. Filter cover
 4. Double beading
 5. Multilayer filter medium
 6. Water accumulation chamber
 7. Water sensor
 8. Water drain tube
 9. Electrical connector for water sensor
- A. Inflow of contaminated diesel
 B. Dirt and water filtration of the diesel
 C. Clean diesel is conducted to engine



Top 15 part numbers

Workshop Part Number	VIO	% of VIO	Vehicle Types	Applications
77095WS	11971732	14.17%	Domestic	1998-2013 Ford Crown Victoria, E-Series Vans, Expedition, Explorer, Five Hundred, Focus, Freestar, Freestyle, F-Series Pickups, Mustang, Ranger, Taurus, Thunderbird, Winstar; 2000-2012 Jaguar S-Type, XF; 1998-2002 Lincoln LS6, LS8, Navigator, Town Car, See catalog for full application
77041WS	11677204	13.82%	Domestic	1992-2005 Buick Century, LaCrosse, LaSabre, Regal; 1998-2005 Cadillac CTS, DeVille, Seville, XLR; 1991-2005 Chevrolet Beretta, Cavalier, Corsica, Impala, Lumina, Malibu, Monte Carlo; 1996-2003 GMC Savana, 1992-2004 Oldsmobile 98, Achieva, Alero, Aurora. See catalog for full application
77090WS	8186173	9.69%	Domestic	1983-2012 Ford Bronco, Crown Victoria, Escape, Escort, E-Series Vans, F-Series Pickups, Mustang, Taurus, Thunderbird; 1983-2002 Lincoln Continental, MarkVI, MarkVII, Town Car; 2001-2011 Mazda Tribute; 1983-2008 Mercury Courgar, Grand Marquis, Mariner, Mystique, Sable
77094WS	6242378	7.39%	Domestic	1990-2014 Ford E-Series Vans, Excursion, Expedition, Explorer, F-Series Pickups, Ranger, Windstar; 1991-1997 Mazda B-Series Pickups; 1997-2011 Mercury Mariner, Mountaineer
77052WS	3110356	3.68%	Domestic	2002-2004 Cadillac Escalade; 1997-2005 Chevrolet S10Blazer, Silverado, Suburban, Tahoe; 1997-2007 GMC Denali, S15Jimmy, Sierra, Yukon, Yukon XL; 1997-2000 Isuzu Hombre; 1997-2001 Oldsmobile Bravada
77099WS	2402366	2.84%	Domestic	2004-2014 Ford Explorer, F-Series Pickups, Mustang; 2003-2008 Lincoln Aviator, LS, Mark LT; 2004-2010 Mercury Mountaineer
77097WS	2351182	2.78%	Domestic	2001-2013 Ford Expedition, Explorer, Focus, F-Series Pickups, Ranger; 2007-2013 Lincoln Navigator; 2004-2009 Mazda B-Series Pickups; 2002-2007 Mercury Monterey, Mountaineer
77066WS	2259372	2.67%	Asian	1994-2005 Hyundai Sonata; 2001-2006 Kia Magentis, Optima; 1990-1997 Lexus GS300, LS400, SC300, SC400; 1988-2004 Toyota 4Runner, HiLuxPickup, T100 Pickup, Tacoma
77042WS	2088937	2.47%	Domestic	1991-1996 Buick Century, Electra, LaSabre, Roadmaster; 1991-1996 Cadillac Allante, DeVille, Eldorado, Fleetwood, Seville; 1992-2005 Chevrolet Beretta, Caprice, Colorado, Corsica, Express Van, Lumina APV; 1996-2005 GMC Canyon, Savana; See catalog for full application
77061WS	1956021	2.32%	Domestic	1976-1990 Buick Century, LaSabre, Regal, Skylark; 1976-1990 Cadillac DeVille, Eldorado, Fleetwood, Seville; 1975-1990 Chevrolet Blazer, C/K Pickups, Caprice, G-Series Vans, Malibu, Monte Carlo, Suburban; 1975-1989 GMC C/K Pickups, G-Series Vans, Jimmy See catalog for full application
77059WS	1711477	2.03%	Domestic	2001-2003 Chrysler Town&Country, Voyager; 2001-2003 Dodge Caravan, Grand Caravan
77071WS	1660319	1.97%	Asian	1995-1996 Lexus ES300; 1995-2001 Toyota Avalon, Camry, Solara
77032WS	1602824	1.90%	Domestic	2005-2010 Chevrolet Cobalt; 2005-2009 Pontiac G5, Pursuit; 2003-2007 Saturn Ion
77014WS	1237958	1.47%	European	2000-2006 Audi A4, A8, TT; 1998-2013 VW Golf, Jetta, New Beetle
77026WS	1168280	1.38%	Asian	1990-2003 Infiniti G20, I30, M30, Q45, QX4; 1988-1995 Isuzu Amigo, Trooper; 1999-2002 Mercury Villager; 1985-2004 Nissan 200SX, 300SX, 720, Axxess, Maxima, Pathfinder, Pulsar, Quest, Sentra, Xterra